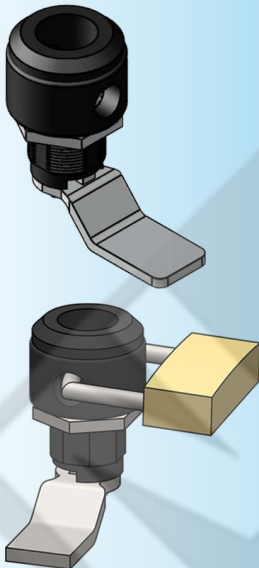




Photo View



3D Rendered View

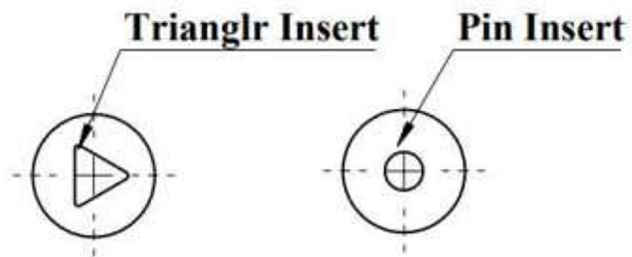
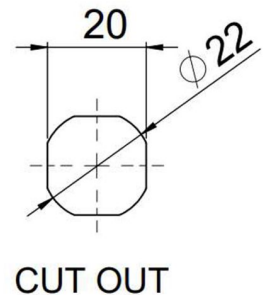
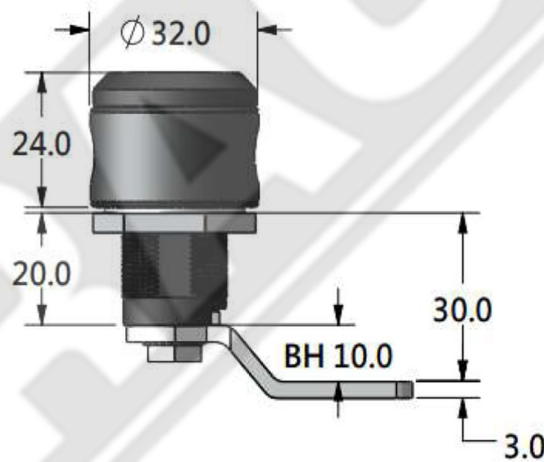
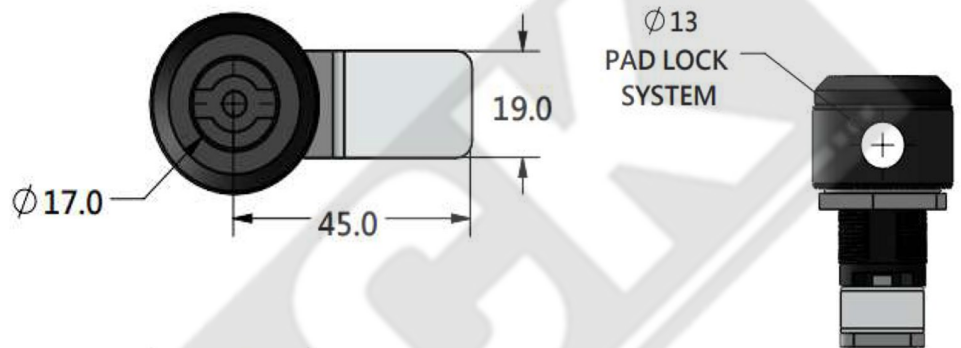


PL - 27

- Material: Zinc Die Casting Housing, Blue Steel Cam
- Finish: Black Powder Coating/Chrome Plating

For Product Step File or 3D Model Send a Request Mail To info@nrack.com

Quarter turn Padlockable



Available Inserts